



RLN4801 / RLN4802

Remote Mount Kit
(excluding Cable Kit)



Professional Radio

Accessories

Remote Mount Controlhead Installation



CAUTION: The radio must be disconnected from the power supply before commencing any disassembly. The Installation Manual should be referred to for more detailed information on warnings and safety.

To Disassemble the Radio from the Controlhead

1. Remove the Controlhead from the Transceiver by inserting the dismantling tool (Motorola part number 6686119B01) in the recess between the Controlhead and the Transceiver.
2. Split the Controlhead into Front and Back housings by inserting the dismantling tool in the recess between them.

NOTE 1. To minimise cosmetic damage disassemble from the bottom side, (label side).
2. The Controlhead Back Housing is not required for remote mounting.

3. Remove the flex from the Transceiver only.

To Assemble the Remote Back Housing

1. Remove the twists from the flex and connect the flex from the Controlhead to the Remote Back PCB connector.

NOTE For correct orientation of the flex, align the 'O' on the flex with the 'O' on the PCB.

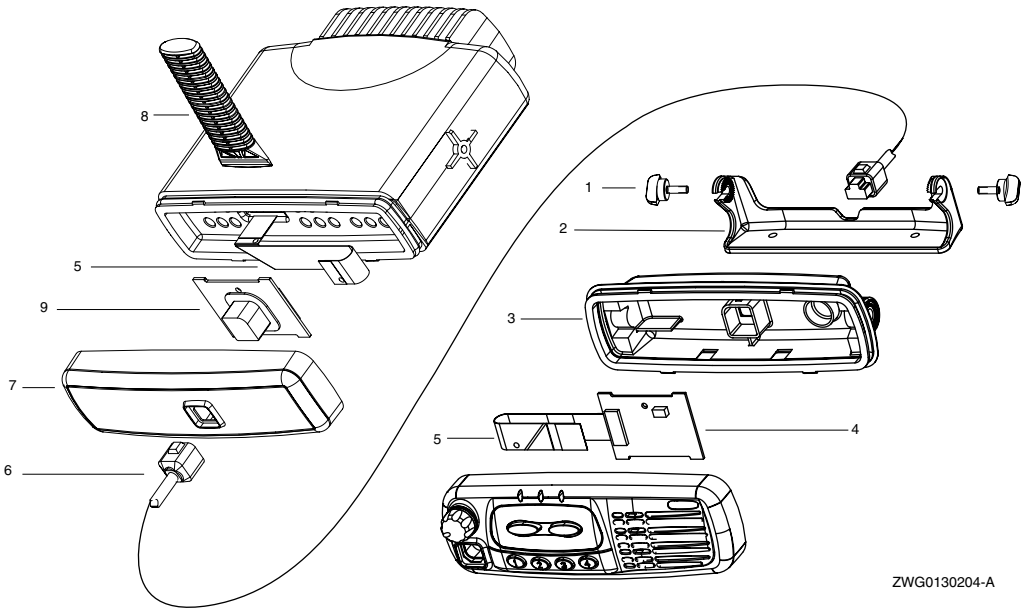
2. Align the speaker with the speaker support.
3. Press the Controlhead onto the Remote Back Housing until **ALL** the tabs snap into place.

To Assemble the Remote Front Housing:

1. Connect the flex from the Remote Front Housing to the top small connector in the Transceiver.

NOTE For correct orientation of the flex in the Transceiver, the "plastic" tab should be up, contacts facing down. Align the 'O' on the flex with the 'O' on the Transceiver. The flex must be pushed into the connector until it meets the stop.

2. Press the Remote Front Housing onto the Transceiver chassis until the chassis tabs snap into place.



ZWG0130204-A

Figure 1 Remote Front and Back Housings

To Install the Remote Controlhead:

1. Position the Remote Mount Bracket in the desired location and mark the positions of the mounting holes.
2. Centrepunch the marked spots and drill 4mm holes at each spot.
3. Fix the Remote Mount Bracket in position using the supplied screws.
4. Route the Remote Cable (Table 1) as required, feeding it through the bracket (a 20mm hole is required for the cable plug).
5. Push the cable plug into the Remote Front and Back Housing until it snaps into place.
6. Snap the assembly into the bracket.
7. Adjust the assembly as required then fix it in position with the wing screws supplied.


Table 1: Associated Components

Item	Description	Part Number
1	Wingscrews	0305760W02
2	Remote Bracket	0764275B01
3	Remote Back Housing A Remote Back Housing B/C O-Ring Control Head	1564268B01 1564269B01 3202620Y01
4	Remote PCB	GLN7362B
5	Flex (two per kit)	8486127B01
6	Cable Kit 3M Cable Kit 5M Cable Kit 7M	RKN4077* RKN4078* RKN4079*
7	Remote Front Housing	1564270B01
8	Dismantling Tool	6686119B01
9	Remote Mount PCB Front	GMLN4086A

* Cable Kits to be ordered separately.

NOTE Specifications are subject to change without notice. Contact your Motorola dealer for the latest specifications.

© 2002 by Motorola, Inc.
Radio Products Group
Jays Close, Viabes Industrial Estate,
Basingstoke, Hampshire RG22 4PD United Kingdom

 and Motorola are registered trademarks of Motorola Inc.
Professional Radio and GP are trademarks of Motorola Inc.
All Rights Reserved.



6864110B51-A